

Monaghan Tunneltech North orders a tunnel winch

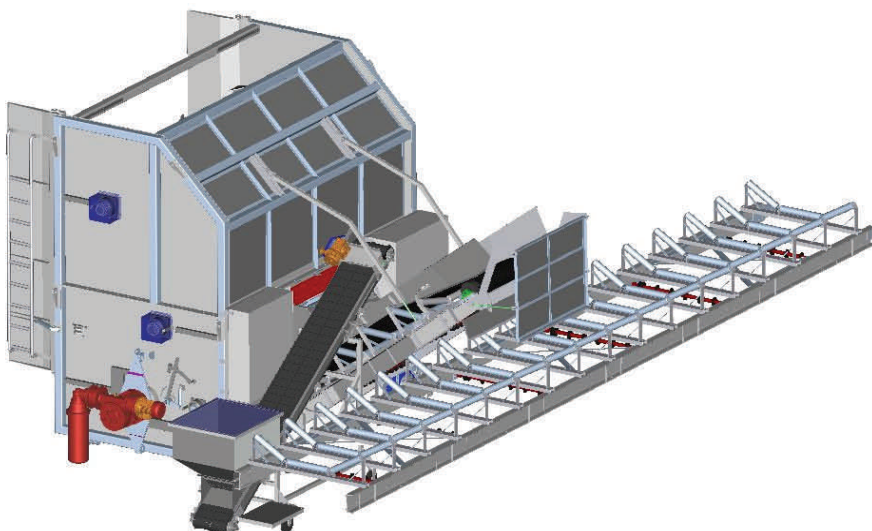


Monaghan Tunneltech North ordered a tunnelwinch and a spawning belt to be able to empty their tunnels. A net laying under the compost is pulled towards the winch. The spades break the compost and an auger transports the compost to the inclined conveyor. All drives are mounted directly on the axles. This to reduce the wear of the different parts.

In the picture above you see a similar tunnelwinch Tunneltech North ordered. In the picture below you see a 3D-drawing of the tunnelwinch and the spawning belt that is placed above the inclined conveyor of the tunnelwinch.

On our website www.hoving-holland.nl you can find all necessary information about our company, such as:

- machines
- information to contact our company
- information about our company and how and where to find us
- news, etcetera.



HOVING HOLLAND Int. BV

Ohmweg 12

9503 GW

P.O. box 9

9500 AA

Stadskanaal

The Netherlands

☎ +31 (0)599 613 390

☎ +31(0)599 619 510

✉ info@hoving-holland.nl

🌐 www.hoving-holland.nl



This Newsflash is submitted to (possible) customers of Hoving Holland Int. BV periodically.

If you do not wish to receive this Newsflash, please send an E-mail to: info@hoving-holland.nl